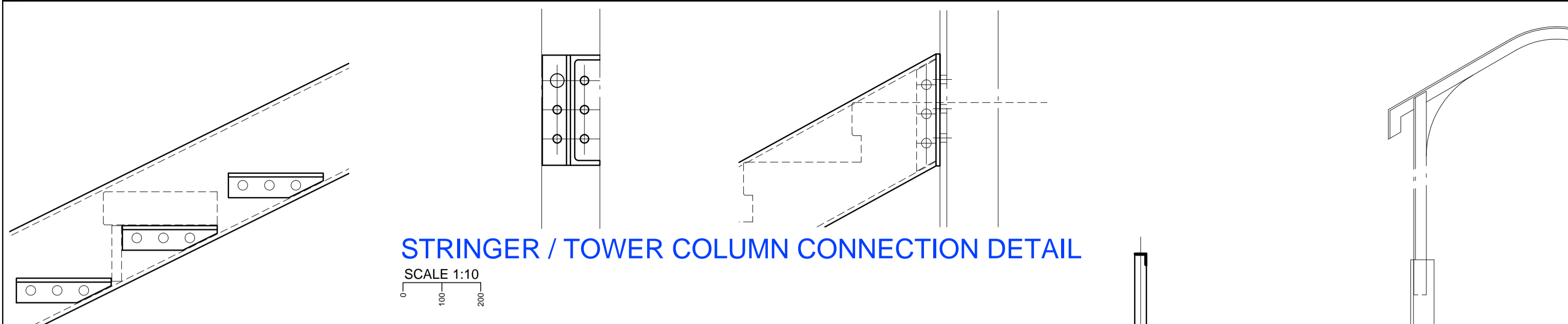


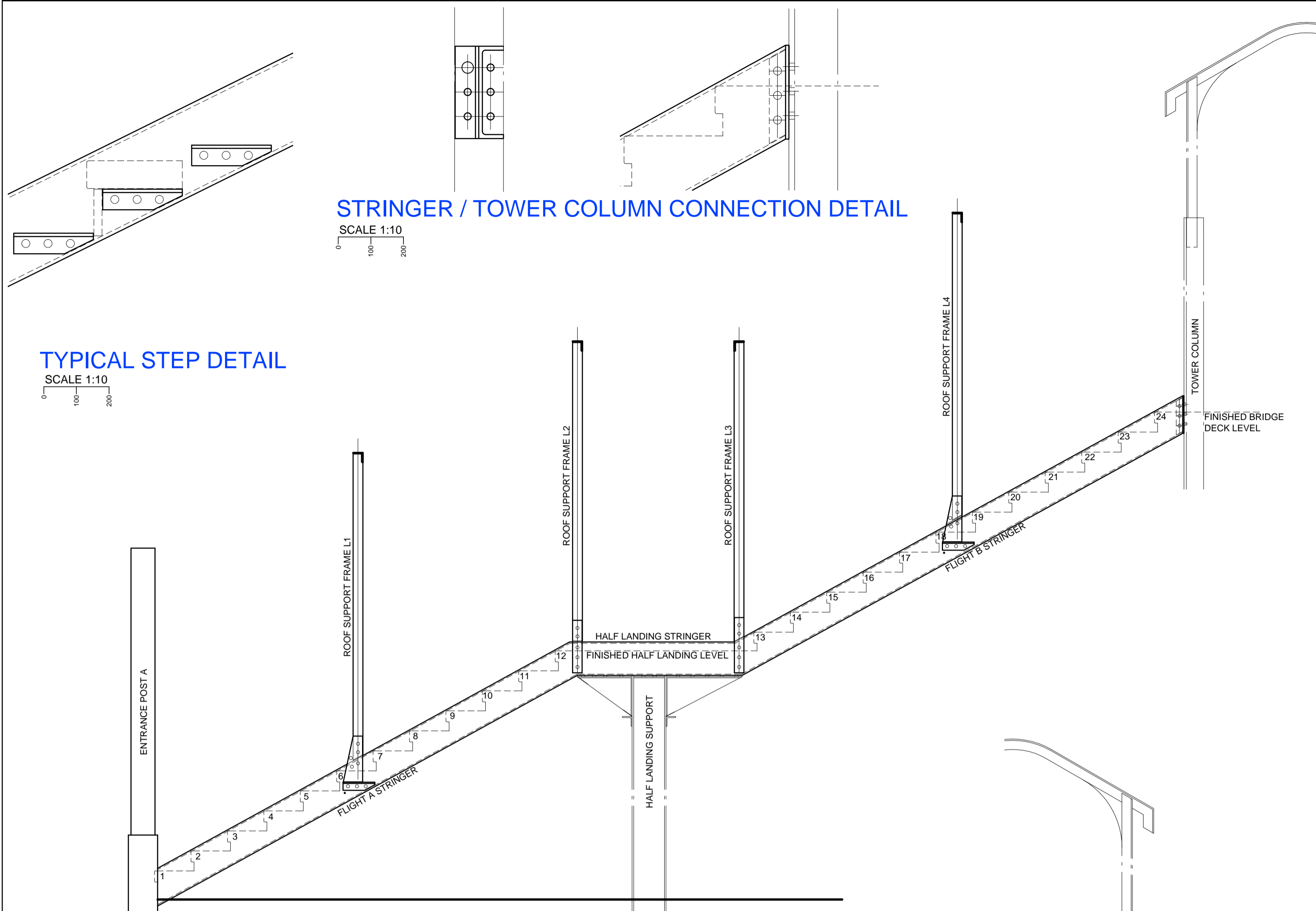
STRINGER / TOWER COLUMN CONNECTION DETAIL

SCALE 1:10



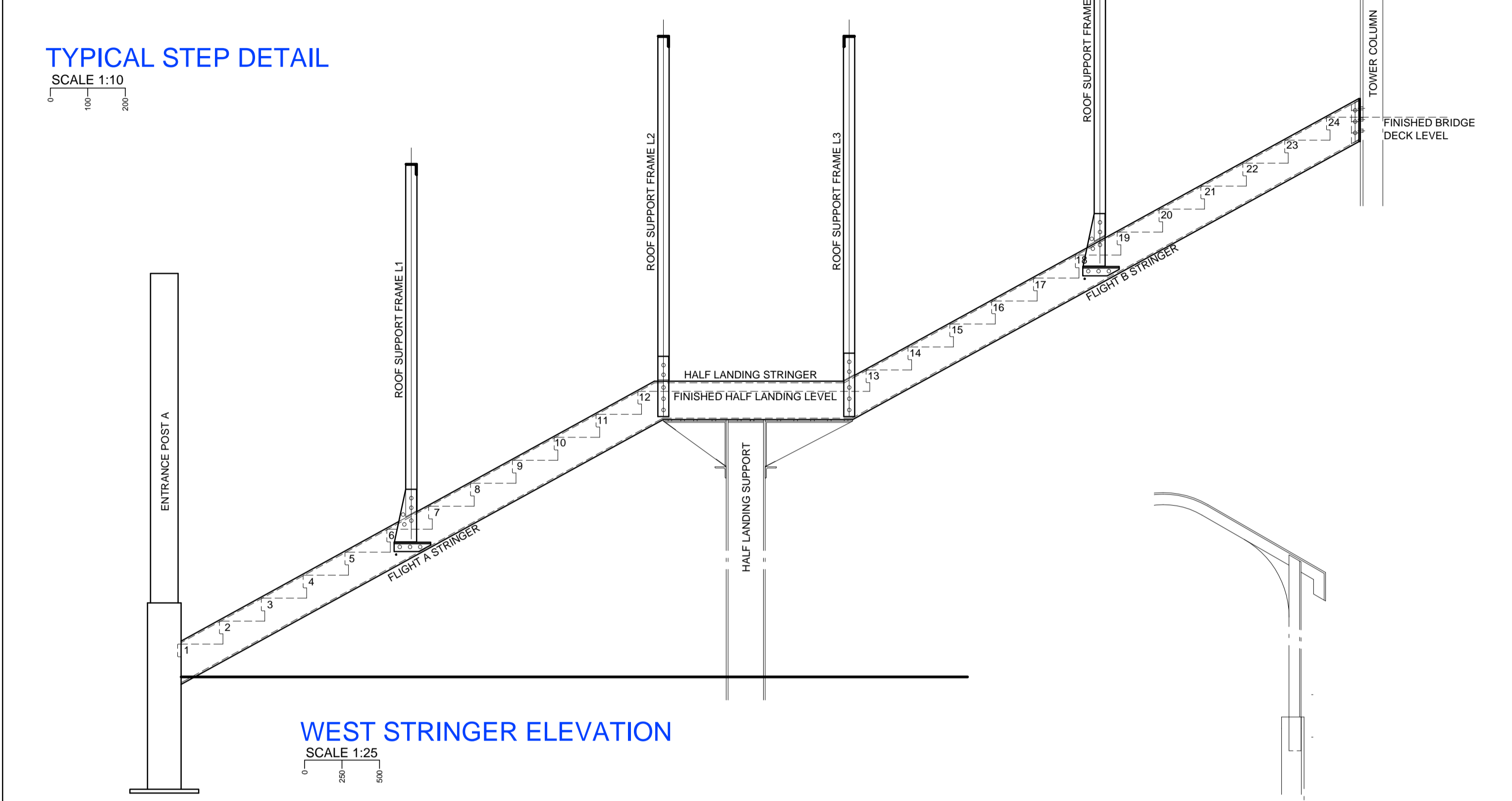
TYPICAL STEP DETAIL

SCALE 1:10



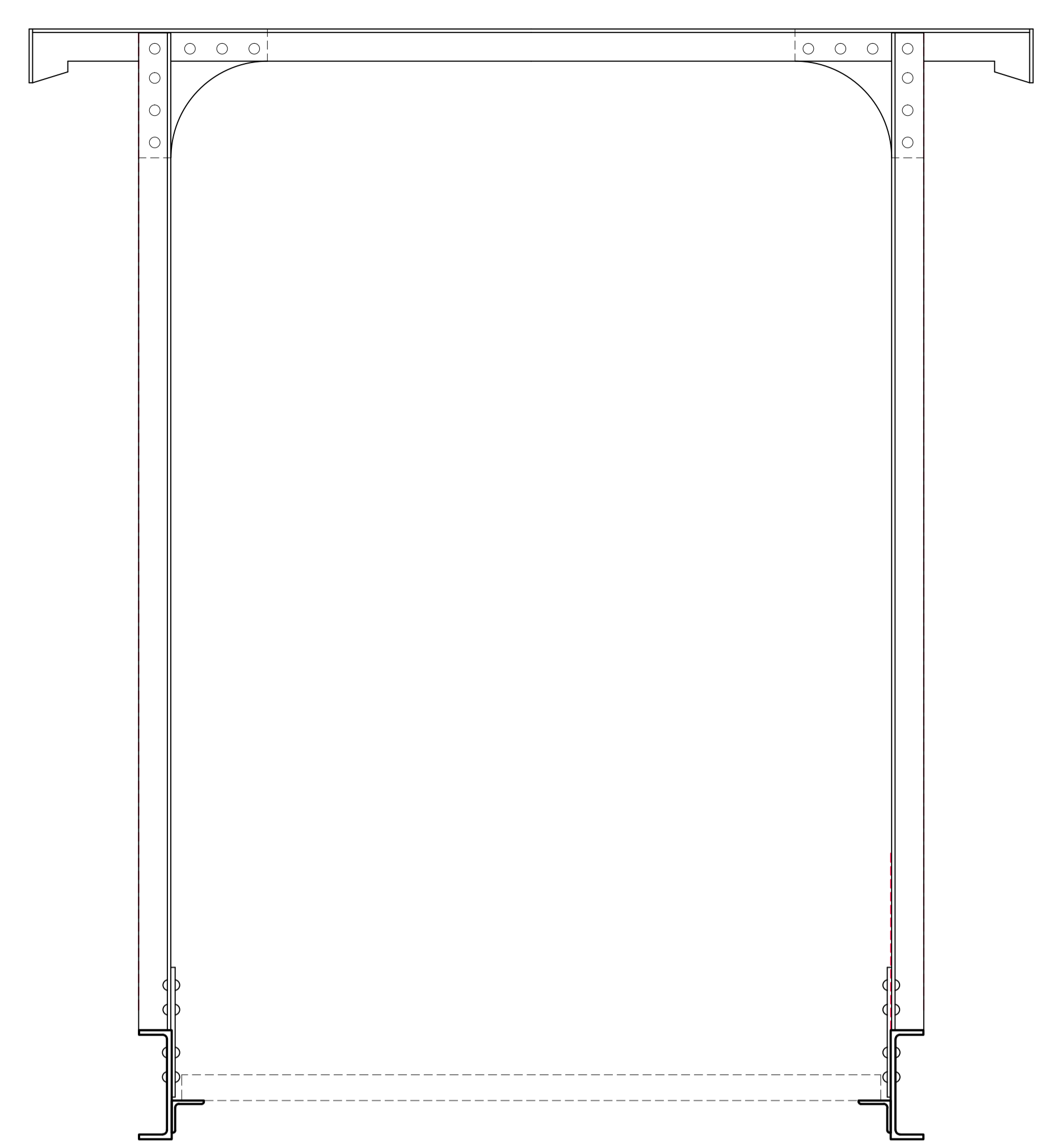
WEST STRINGER ELEVATION

SCALE 1:25



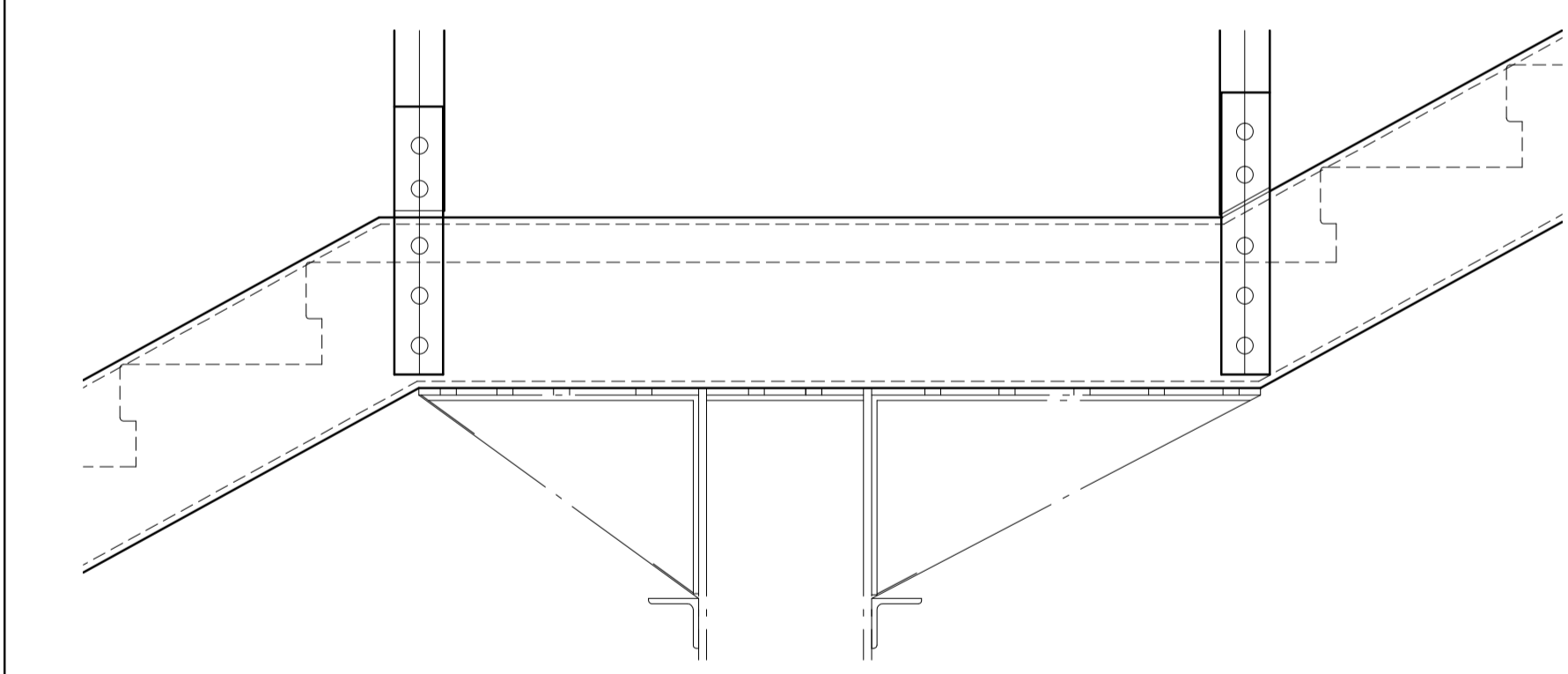
TYPICAL ROOF SUPPORT FRAME ELEVATION

SCALE 1:10



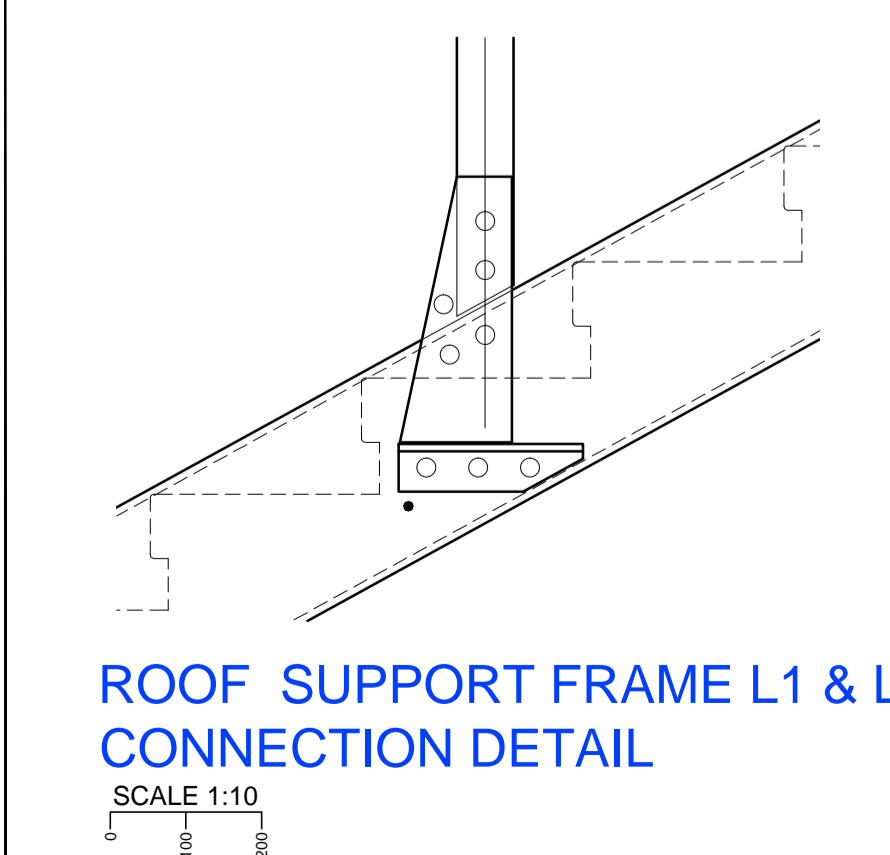
HALF LANDING SUPPORT ELEVATION

SCALE 1:10



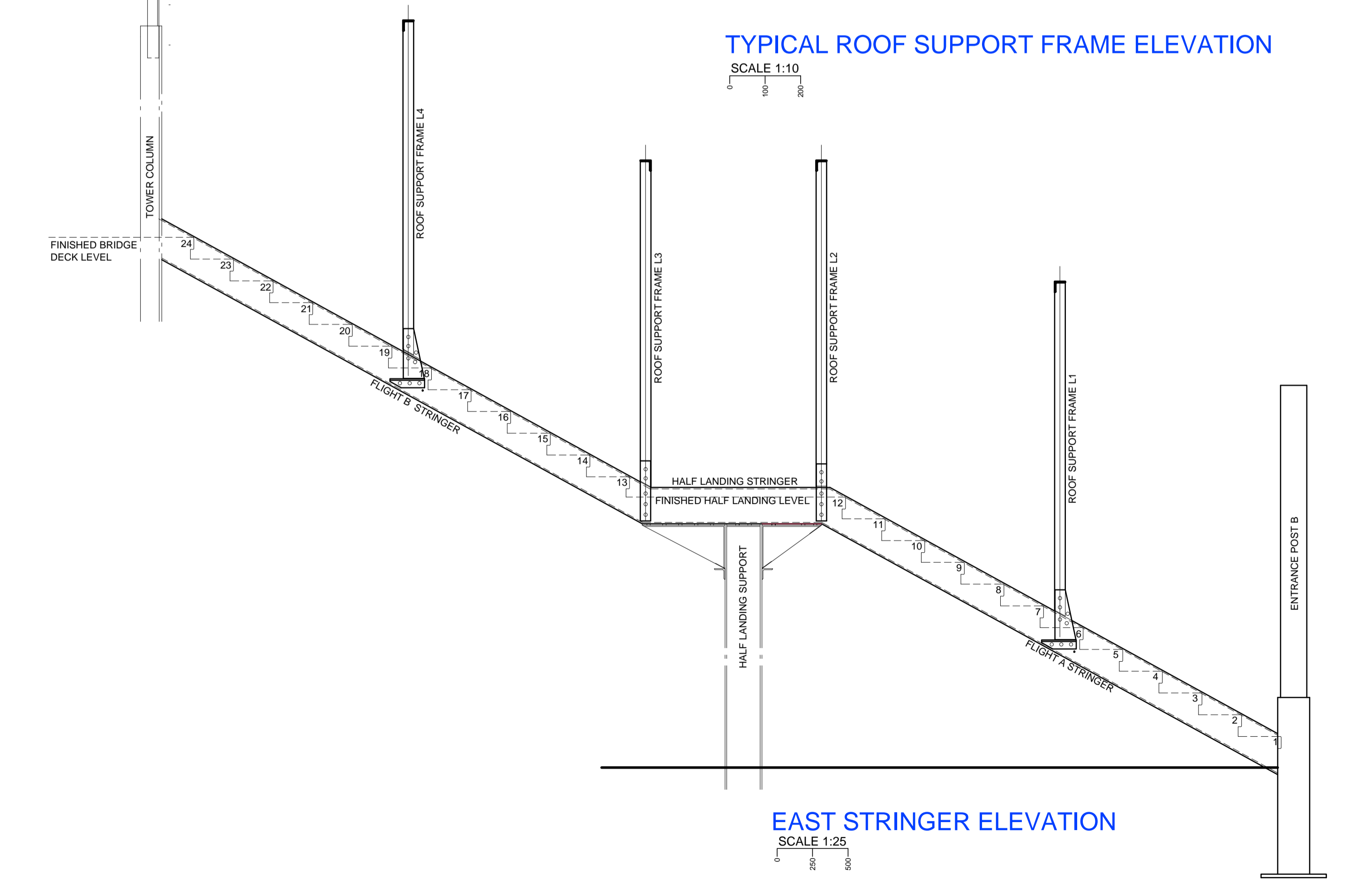
ROOF SUPPORT FRAME L1 & L4 CONNECTION DETAIL

SCALE 1:10



EAST STRINGER ELEVATION

SCALE 1:25



WIP
13.03.15

P	PRELIMINARY	13.03.15	SW
REV	AMENDMENT	DATE	BY

STATUS:-
PRELIMINARY

CLIENT:-
GWSR

CONTRACT:-
Broadway Footbridge

TITLE:-
East Stair Stringer Elevations & Existing Fabrication Details

DESIGN:- JDS DRAWN:- SW CHKD:-

SCALE:- AS SHOWN @ A1 DATE:- Mar 15

David Symonds Associates
42c Imperial Court
Kings Norton Business Centre
Birmingham B30 3ES
Tel: 0121 444 1313
Email: eng@dsace.co.uk
Website: www.dsace.co.uk

DRAWING No:- **214686-S-08** REV **P**

EAST STAIRS