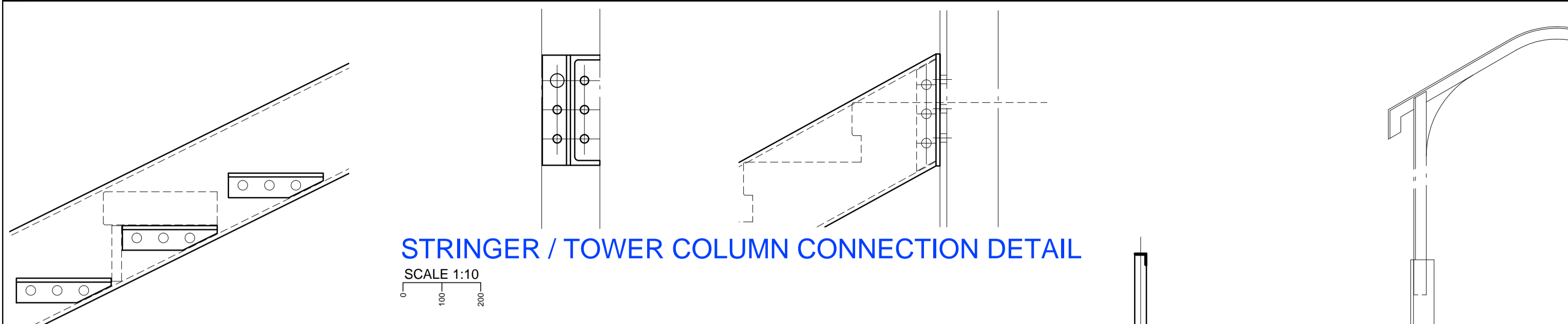


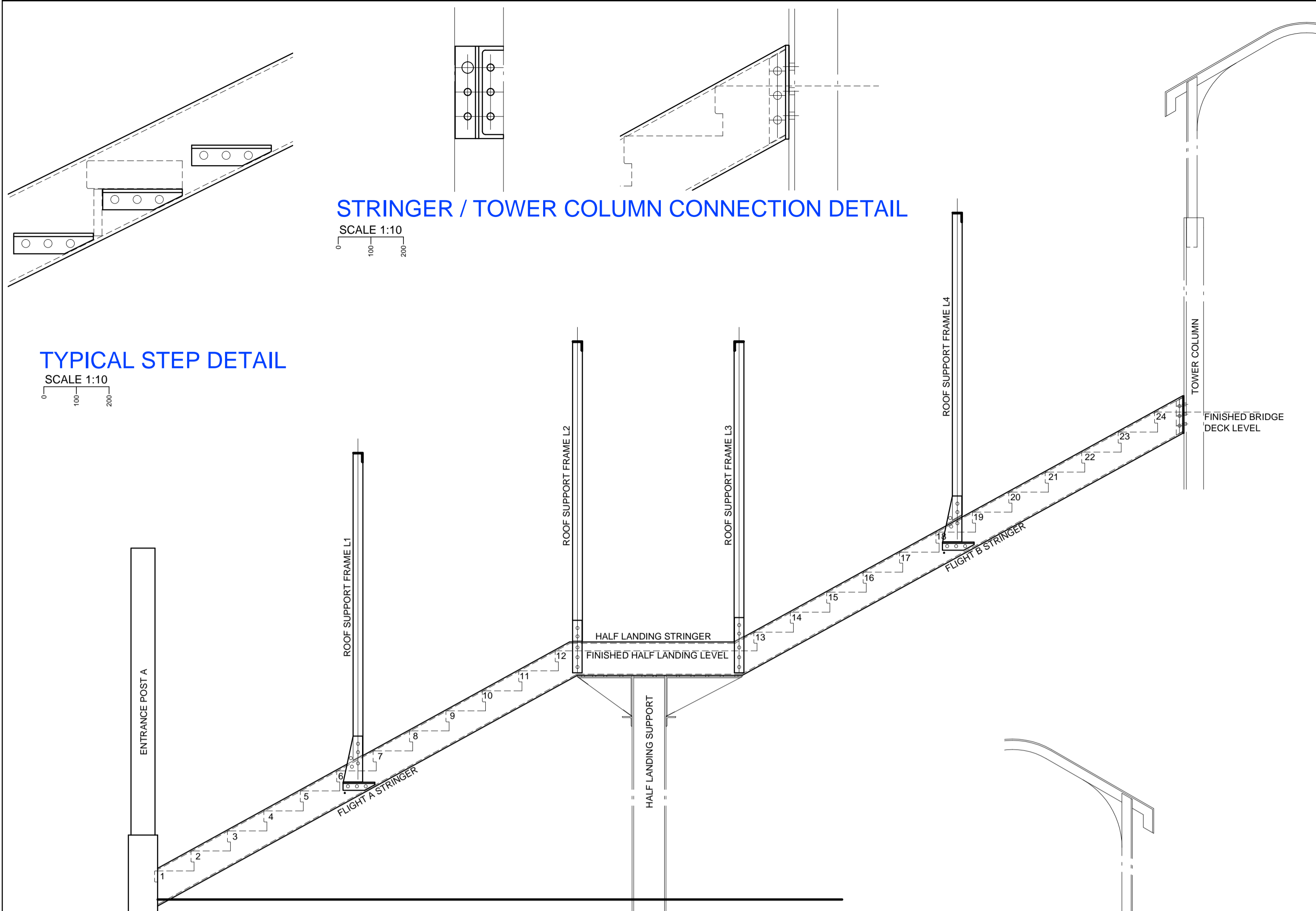
STRINGER / TOWER COLUMN CONNECTION DETAIL

SCALE 1:10



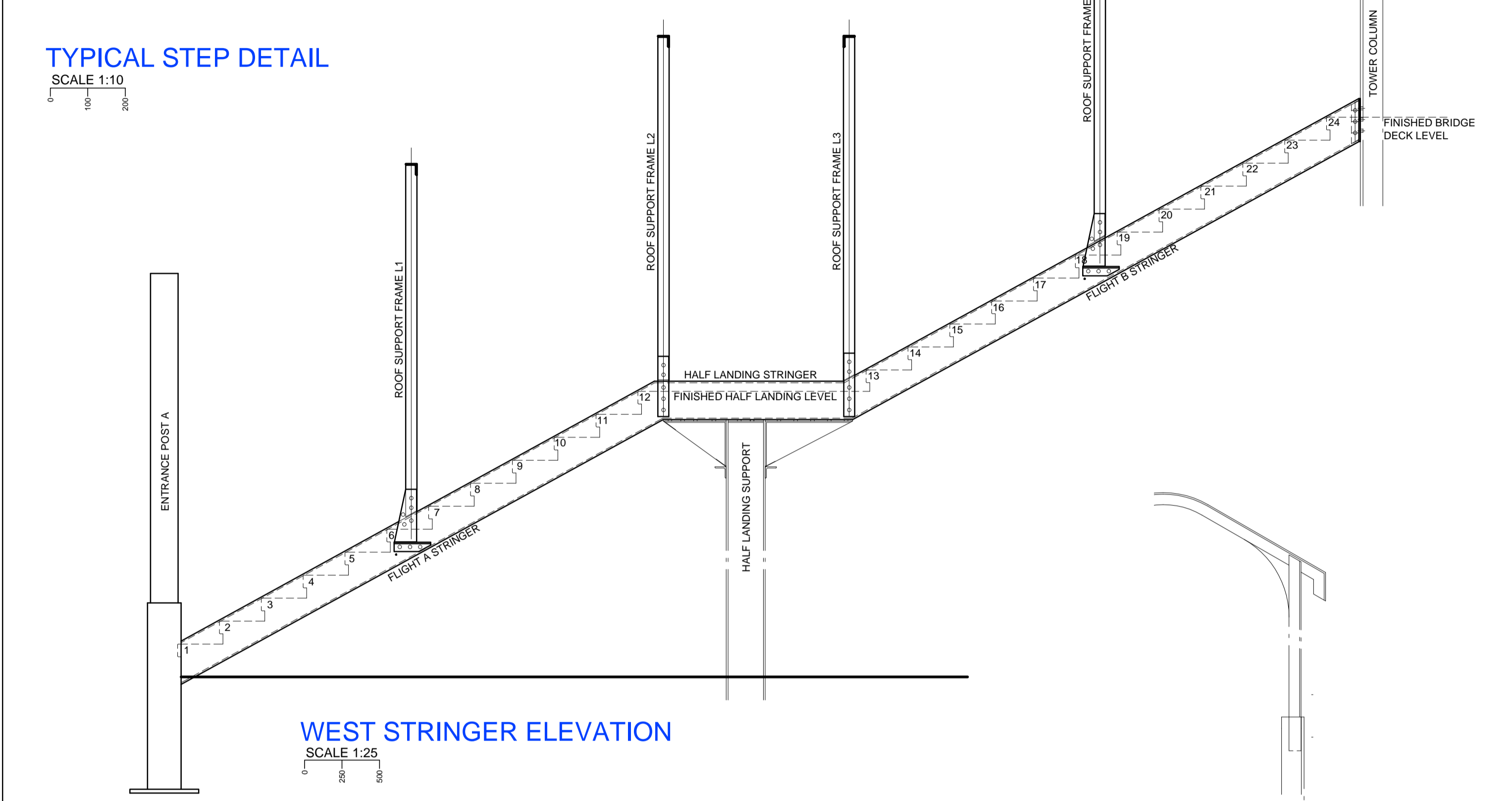
TYPICAL STEP DETAIL

SCALE 1:10



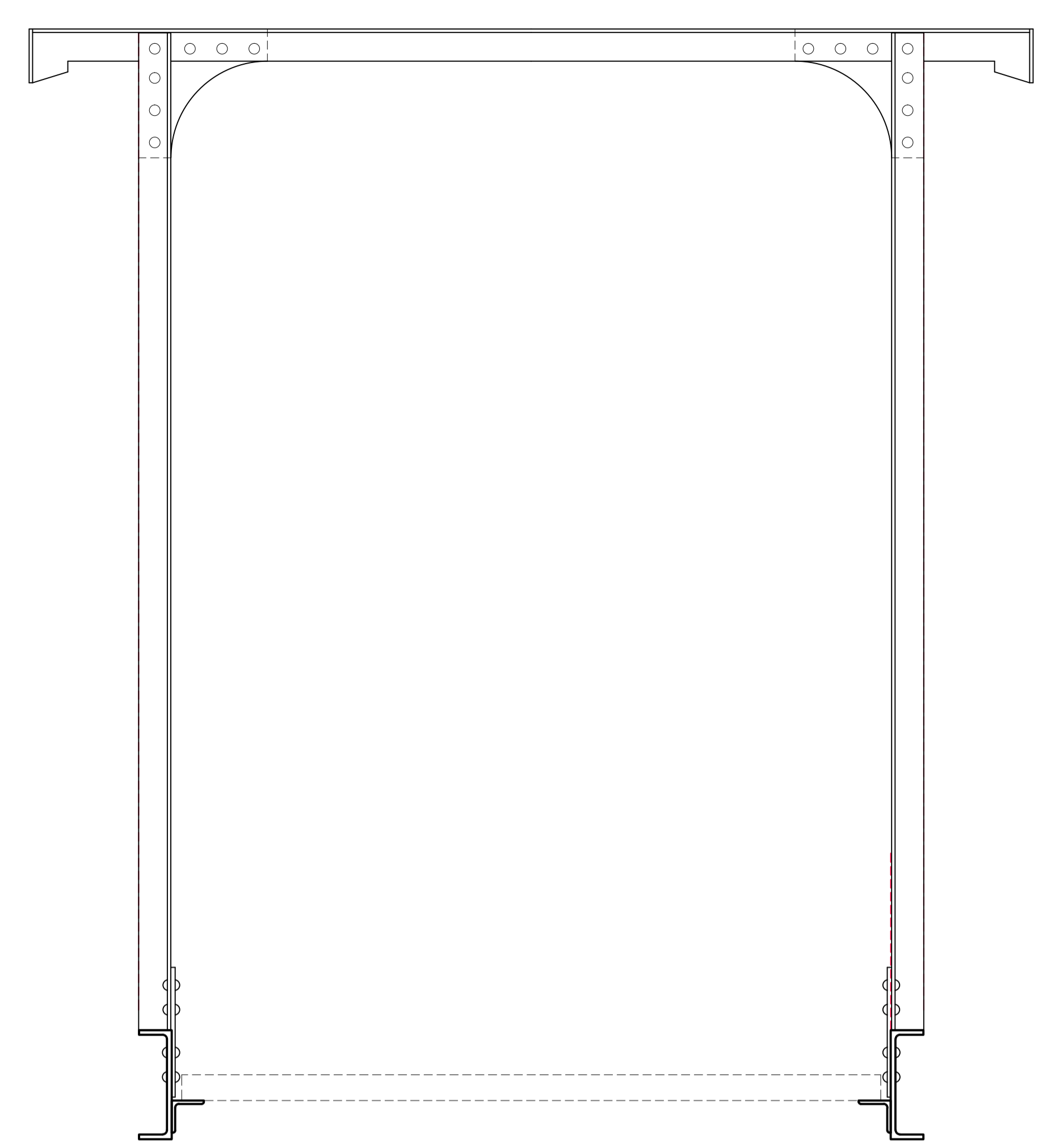
WEST STRINGER ELEVATION

SCALE 1:25



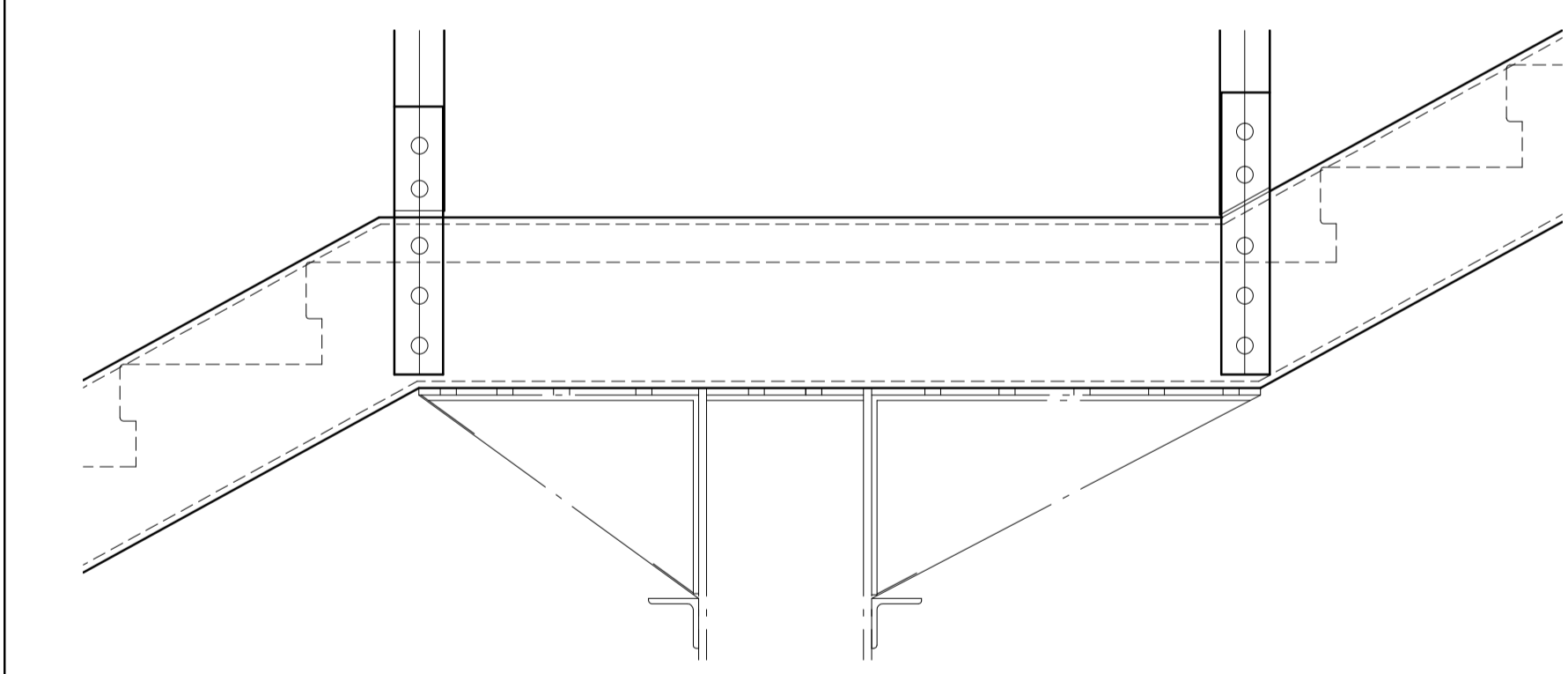
TYPICAL ROOF SUPPORT FRAME ELEVATION

SCALE 1:10



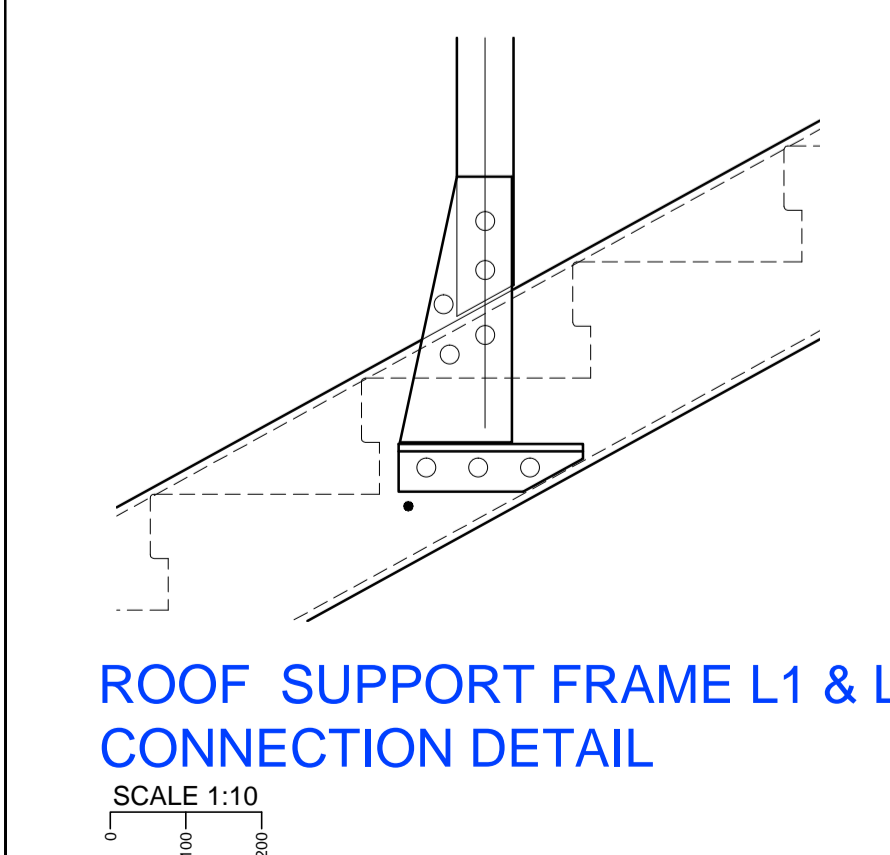
HALF LANDING SUPPORT ELEVATION

SCALE 1:10



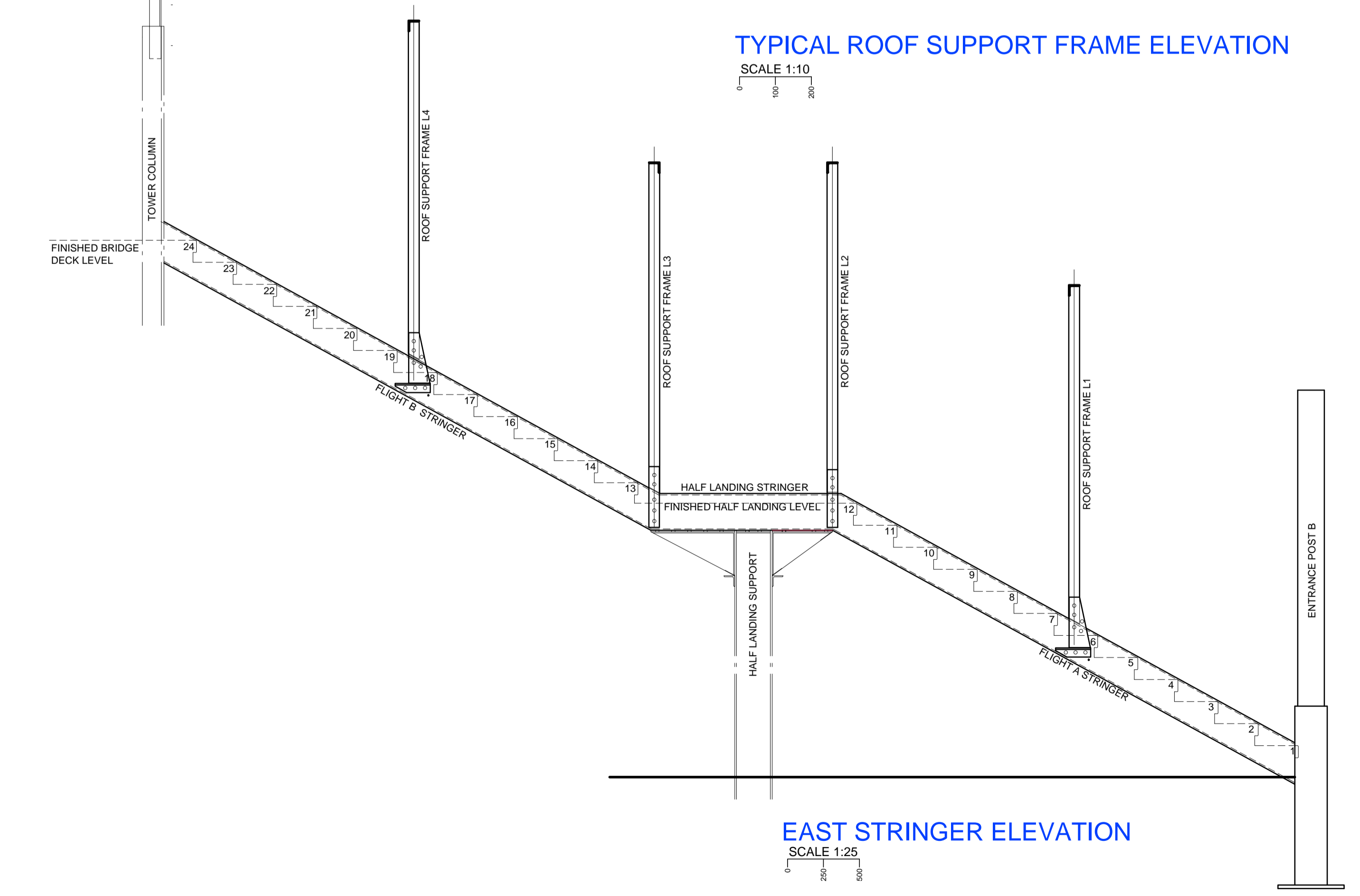
ROOF SUPPORT FRAME L1 & L4 CONNECTION DETAIL

SCALE 1:10



EAST STRINGER ELEVATION

SCALE 1:25



**WIP**  
**13.03.15**

P	PRELIMINARY	13.03.15	SW
REV	AMENDMENT	DATE	BY

STATUS:-  
**PRELIMINARY**

CLIENT:-  
**GWSR**

CONTRACT:-  
**Broadway Footbridge**

TITLE:-  
**West Stair Stringer Elevations & Existing Fabrication Details**

DESIGN:- JDS    DRAWN:- SW    CHKD:-  
SCALE:- AS SHOWN @ A1    DATE:- Mar 15

**David Symonds Associates**  
42c Imperial Court  
Kings Norton Business Centre  
Birmingham B30 3ES  
Tel: 0121 444 1313  
Email: eng@dsace.co.uk  
Website: www.dsace.co.uk

DRAWING No:- **214686-S-09**    REV **P**

**WEST STAIRS**