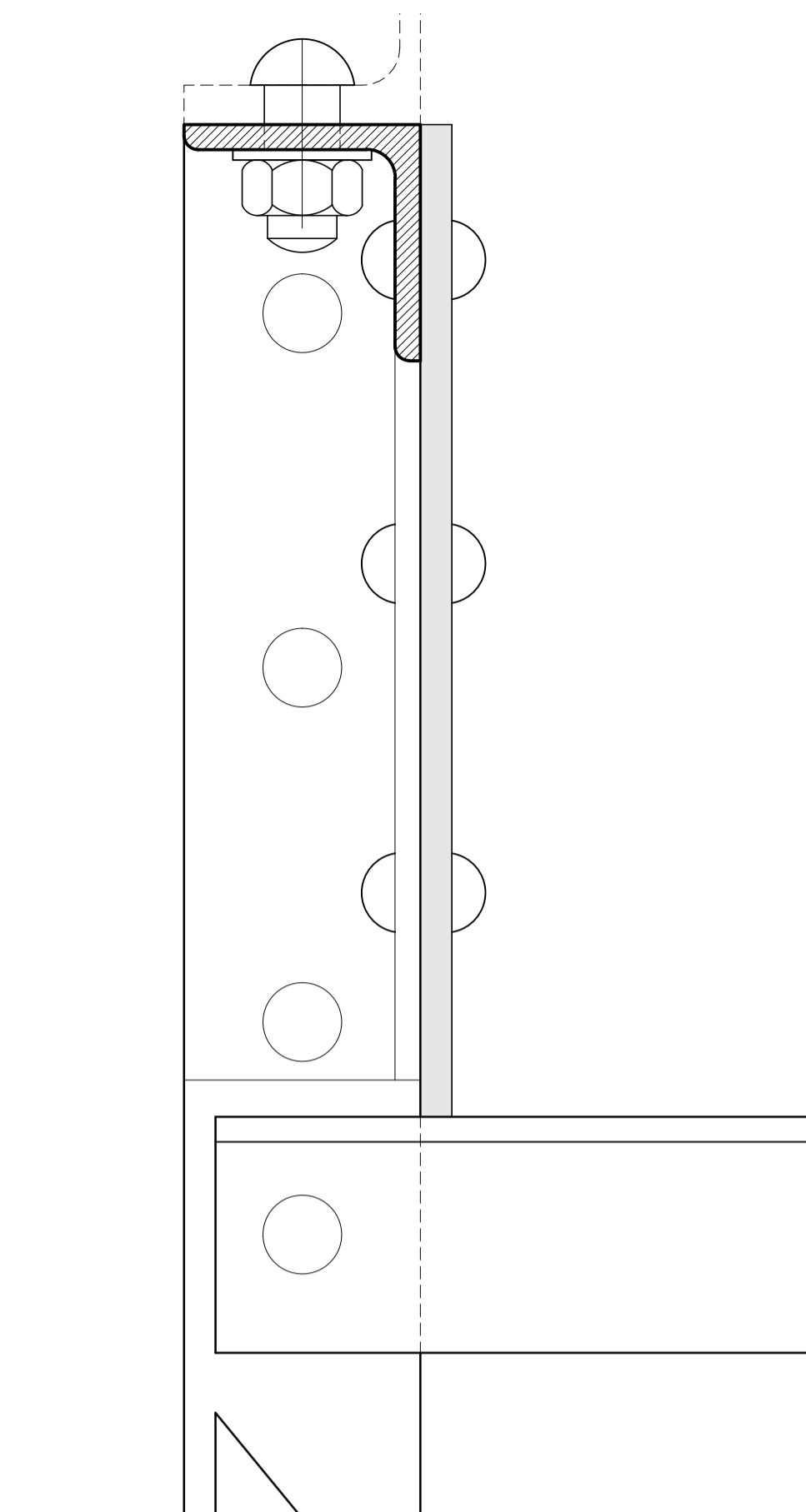
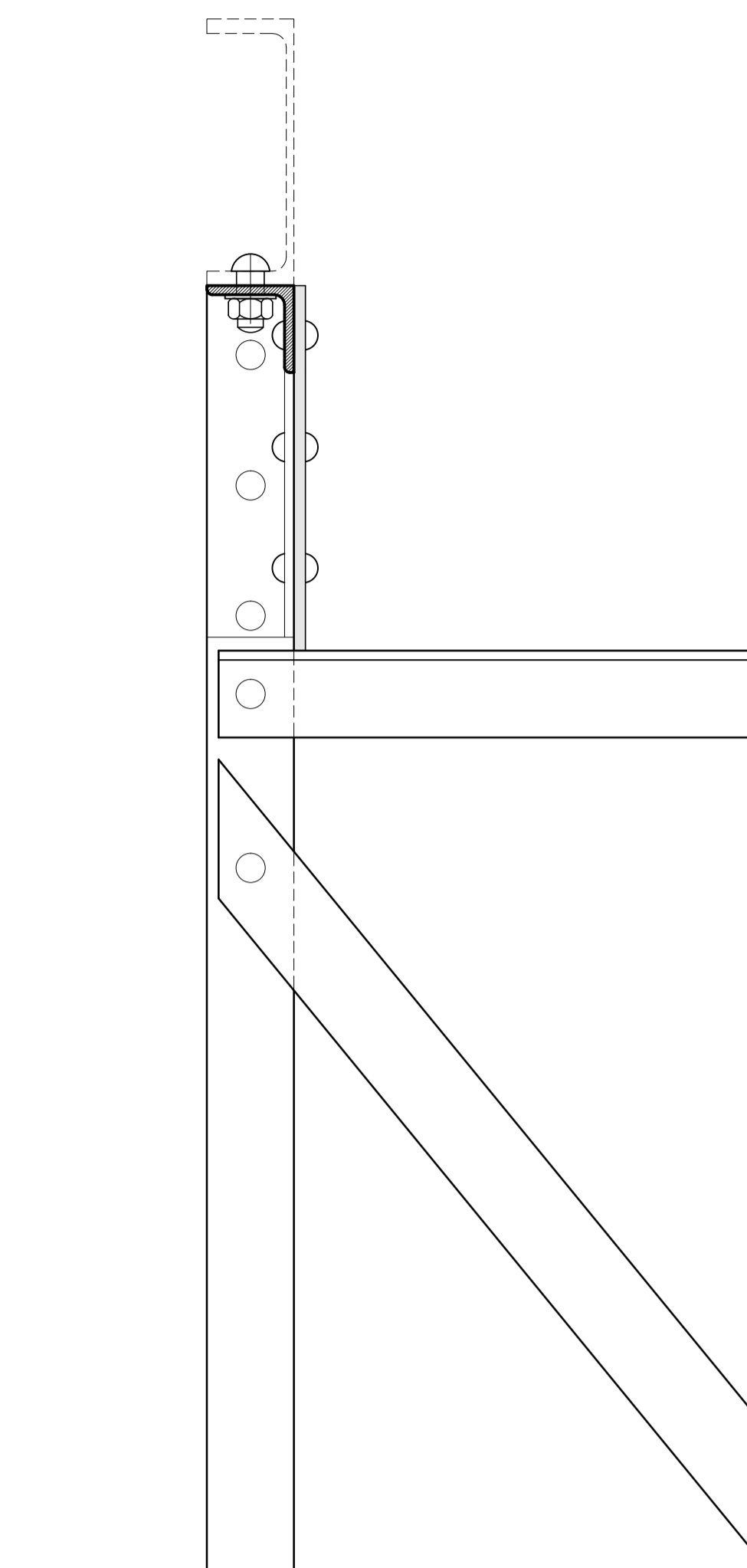


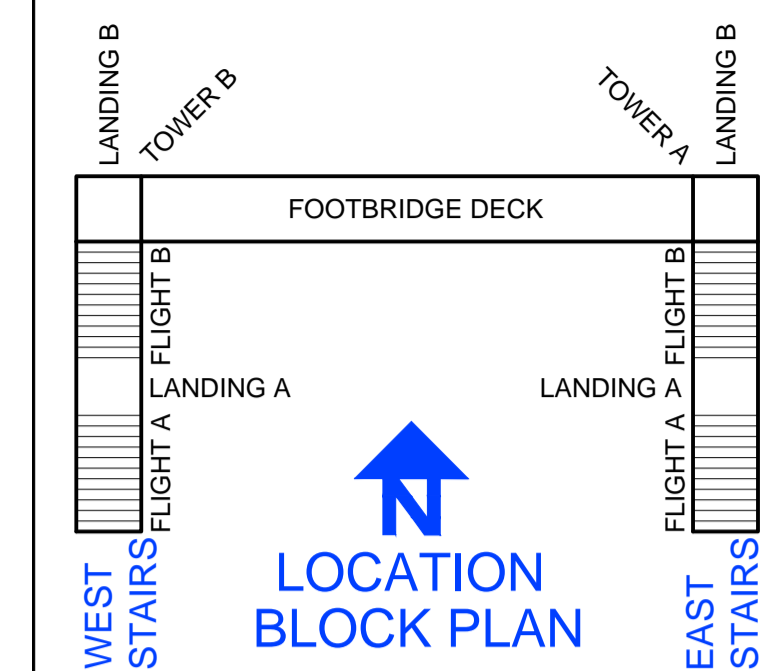
FLIGHT STRINGER CONNECTION ELEVATION (VIEWED EXTERNALLY)



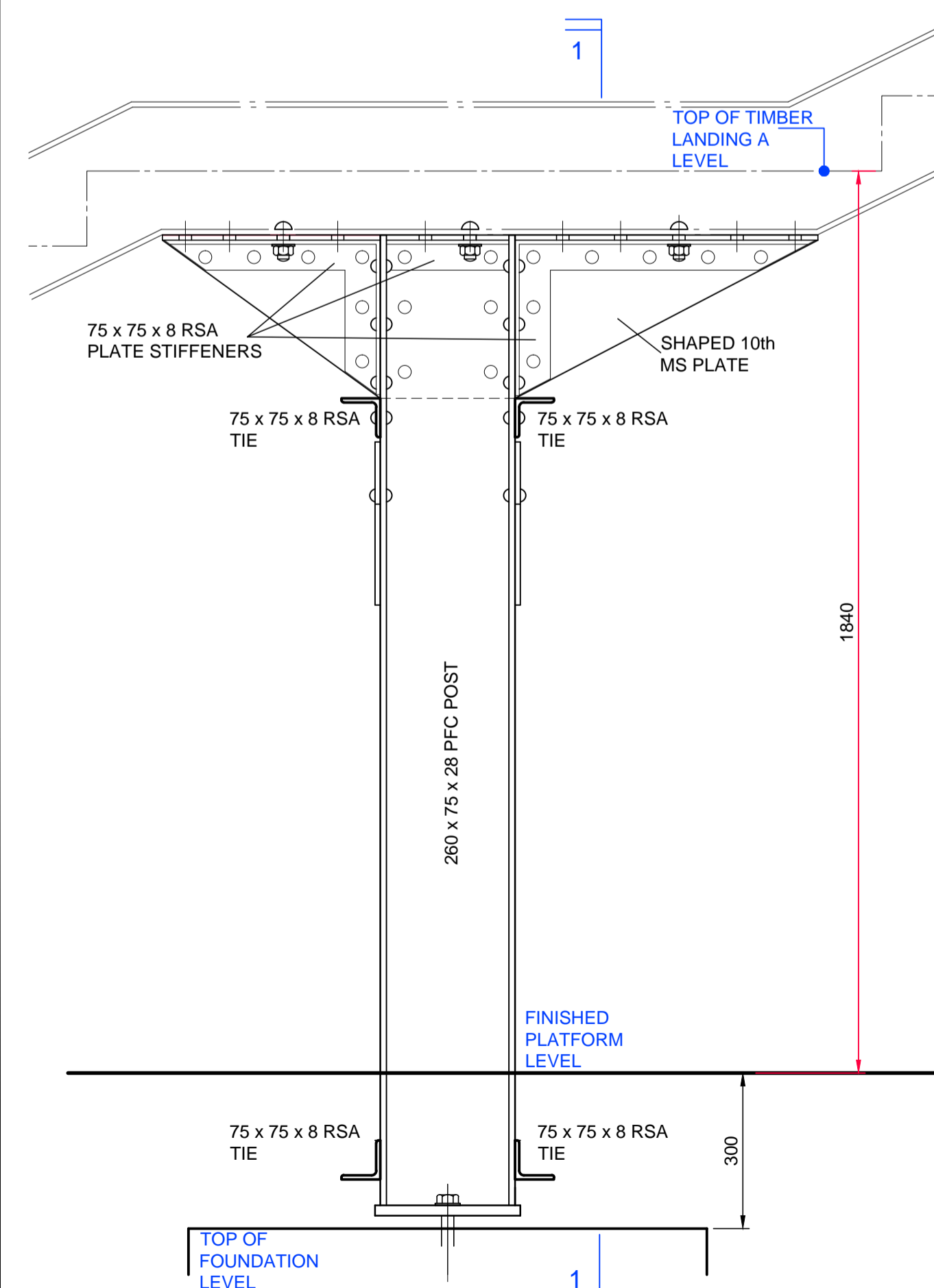
DETAIL SECTION A - A



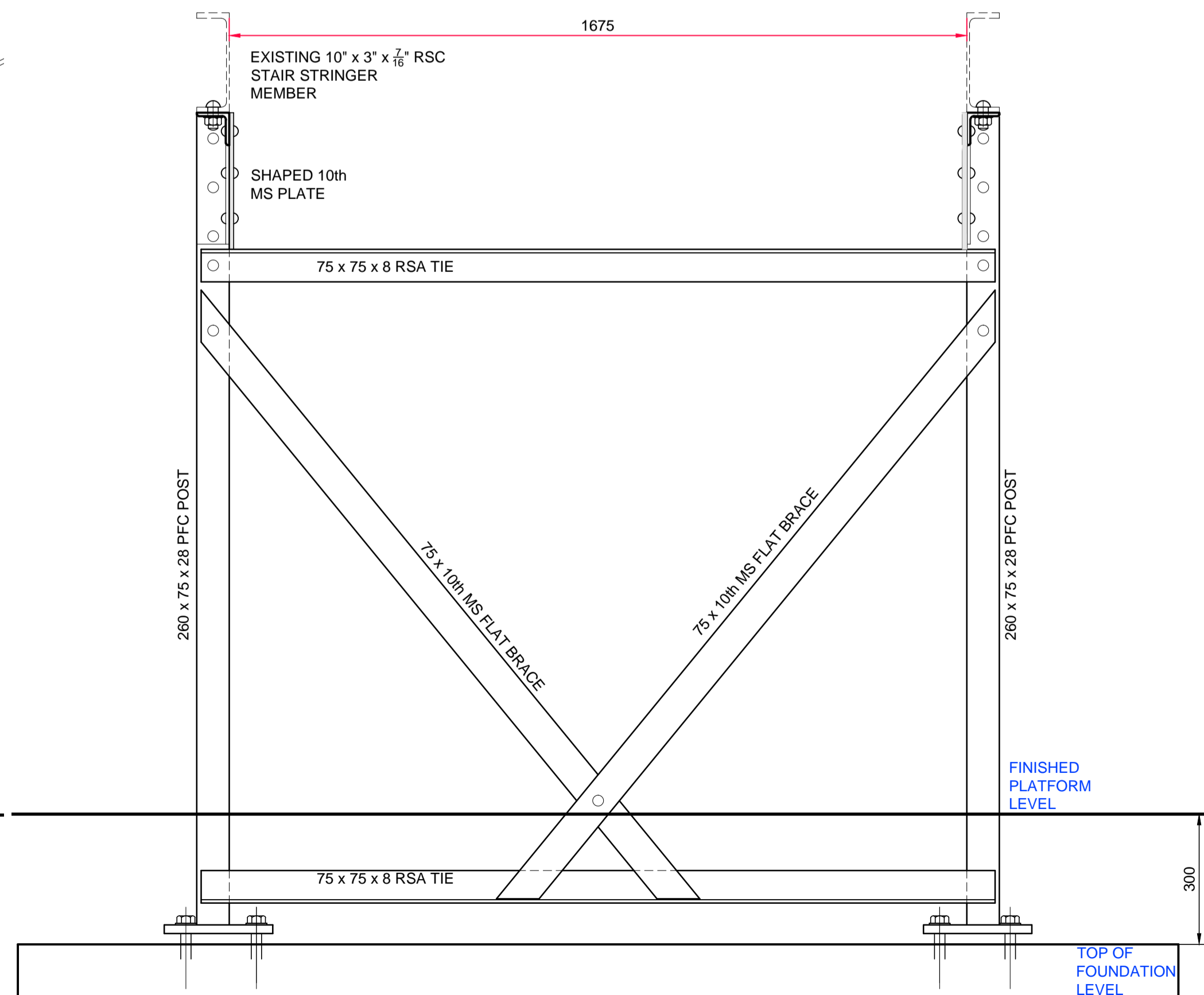
VERTICAL SECTION 1 - 1



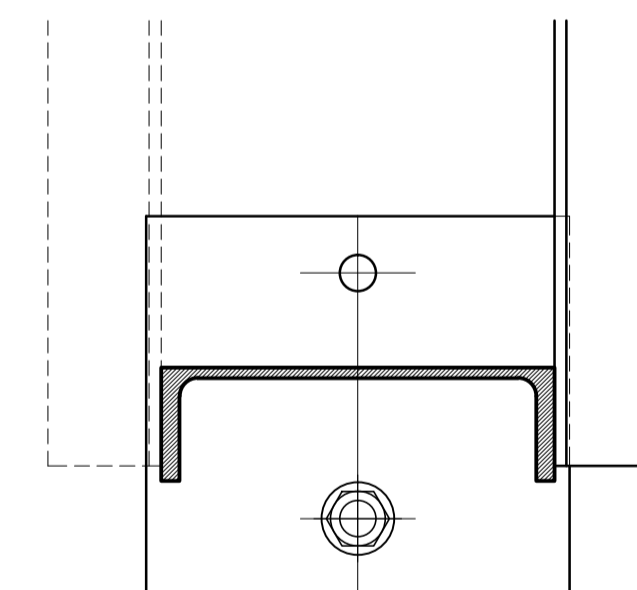
ALL RIVET HEADS SHOWN ARE DUMMY



SUPPORT SIDE ELEVATION



SUPPORT CROSS SECTION



BASEPLATE PLAN

**WIP**  
06.03.15

REV	AMENDMENT	DATE	BY
P	PRELIMINARY	06.03.15	SW

STATUS:-  
**PRELIMINARY**

CLIENT:-  
GWSR

CONTRACT:-  
Broadway Footbridge

TITLE:-  
West & East Stair Landing A  
Support Details

DESIGN:- JDS  
DRAWN:- SW  
CHKD:-  
SCALE:- AS SHOWN @ A1  
DATE:- Feb 15

**David Symonds Associates**  
42c Imperial Court  
Kings Norton Business Centre  
Birmingham B30 3ES  
Tel: 0121 444 1313  
Email: eng@dsace.co.uk  
Website: www.dsace.co.uk

DRAWING No:- 214686-S-10  
REV P