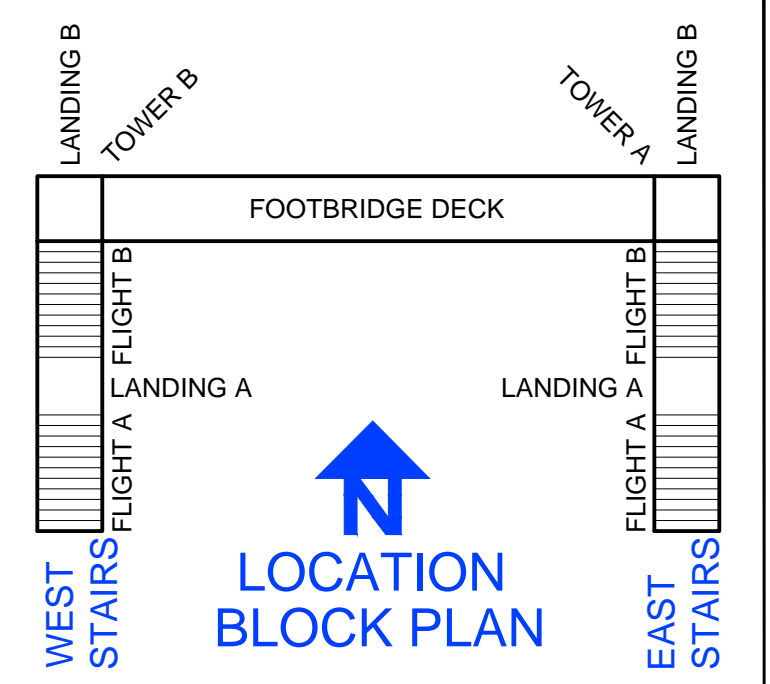
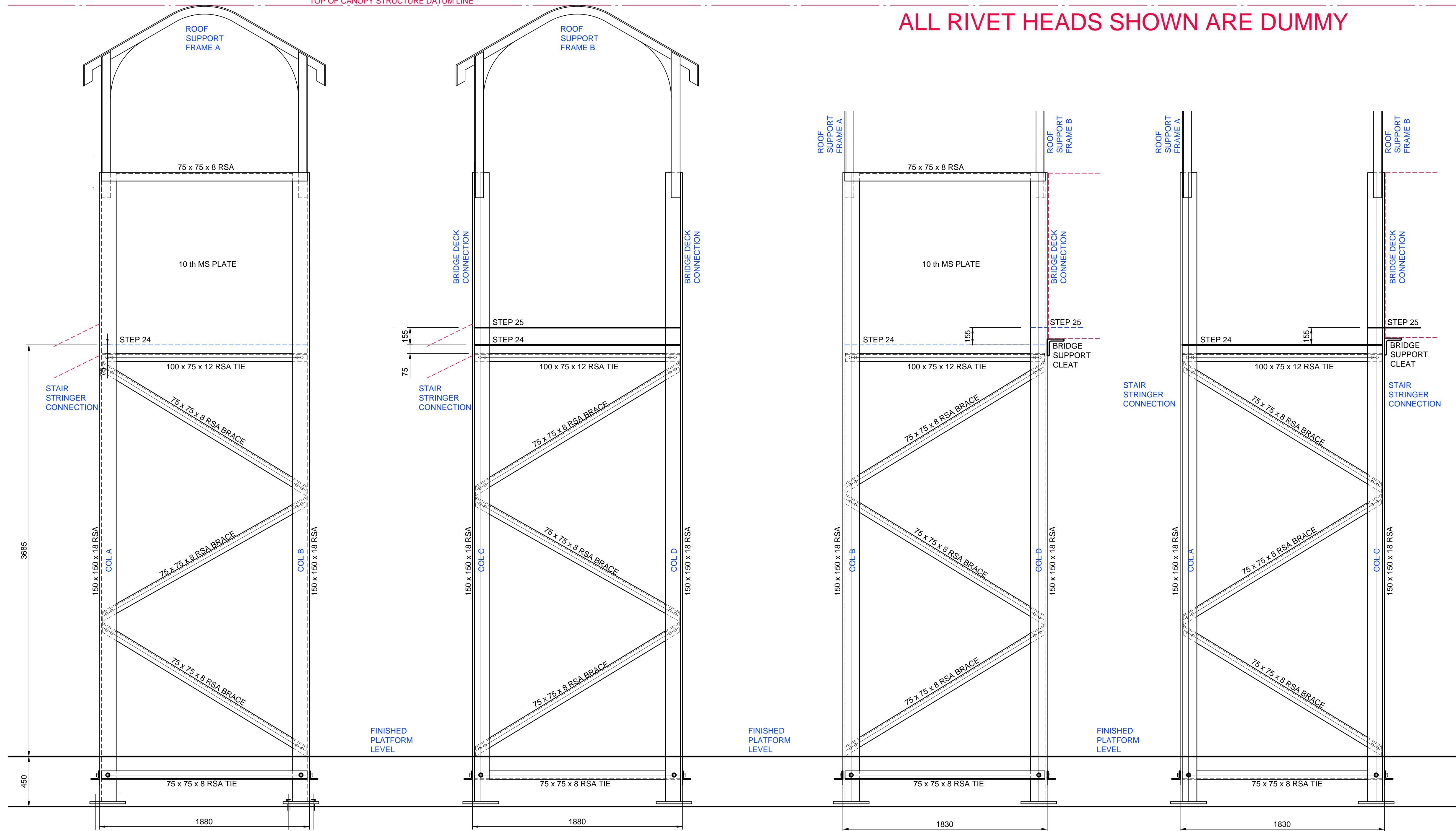


TOP OF CANOPY STRUCTURE DATUM LINE

ALL RIVET HEADS SHOWN ARE DUMMY

DO NOT SCALE - ONLY FIGURED DIMENSIONS ARE TO BE USED. LEVELS TO BE CONFIRMED ON SITE

A1



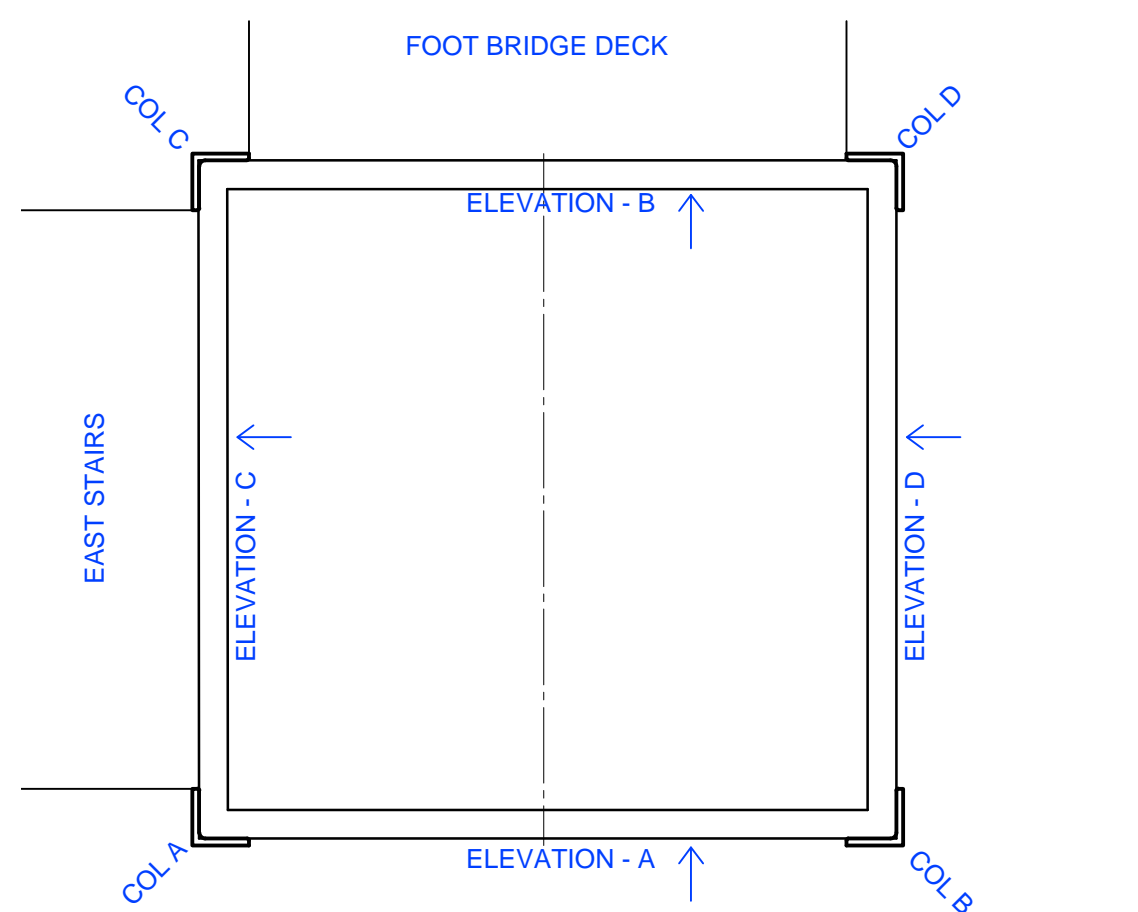
WIP  
06.03.15

ELEVATION - A

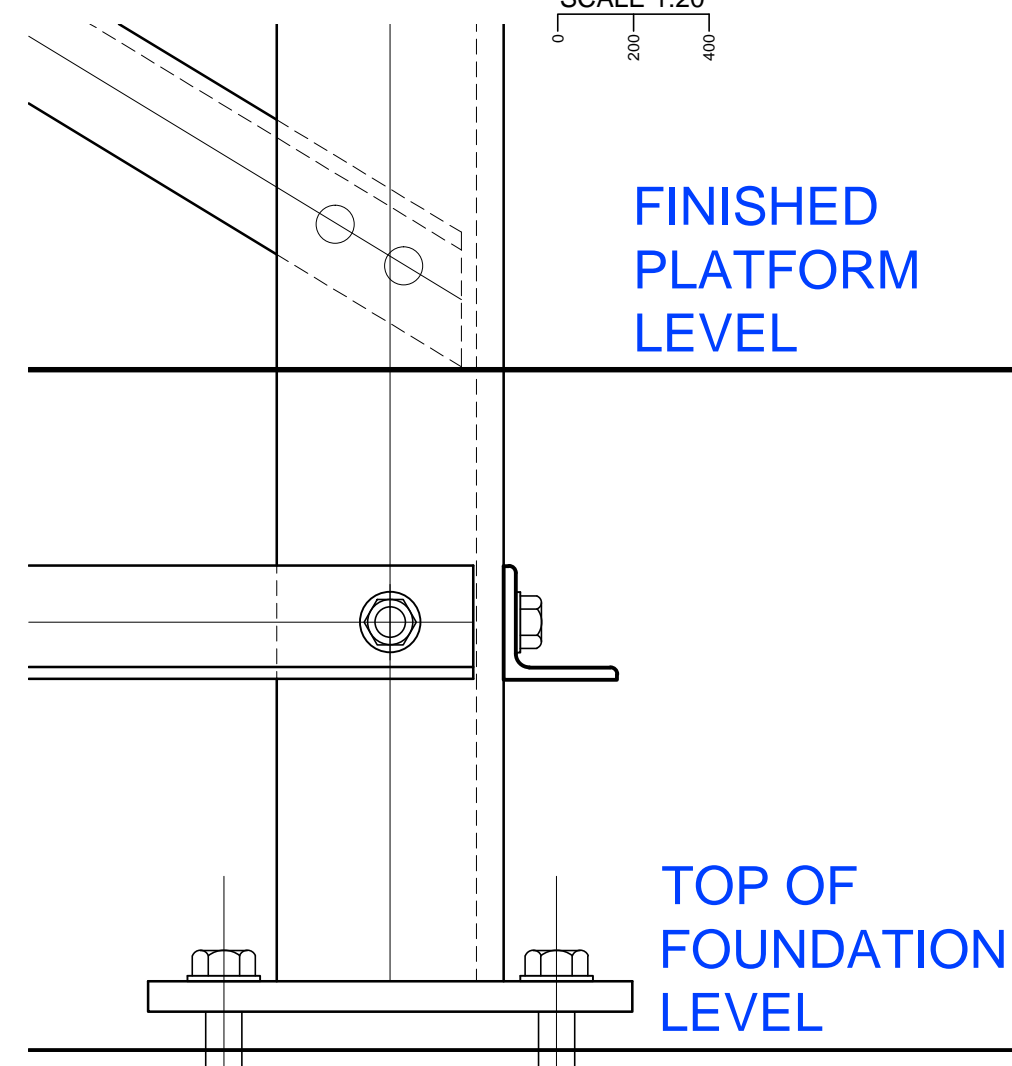
ELEVATION - B

ELEVATION - D

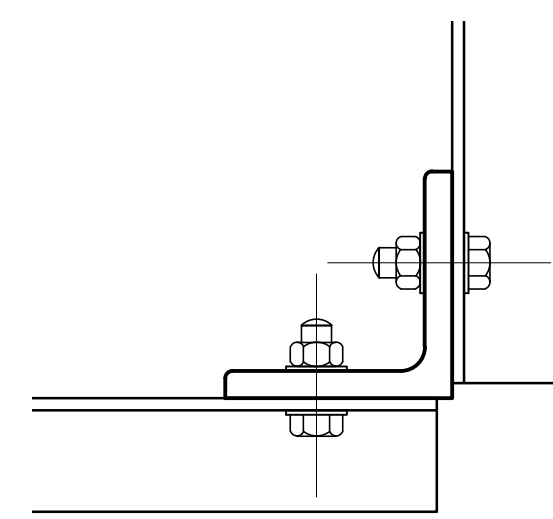
ELEVATION - C



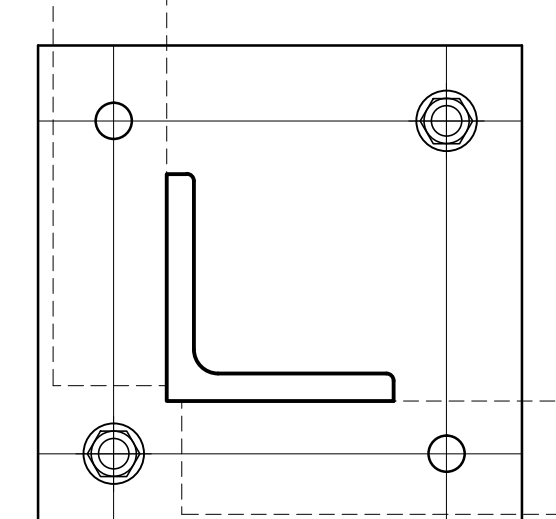
TOWER ELEVATION LOCATION PLAN



FOUNDATION / COLUMN DETAIL



LOWER TIE CONNECTION



TYPICAL BASEPLATE PLAN

STAIR TOWER B DETAILS SIMILAR EXCEPT HANDED

P	PRELIMINARY	06.02.15	SW
REV	AMENDMENT	DATE	BY

STATUS:-  
**PRELIMINARY**

CLIENT:-  
GWSR

CONTRACT:-  
Broadway Footbridge

TITLE:-  
Stair Tower A & B Details

DESIGN:- JDS    DRAWN:- SW    CHKD:-  
SCALE:- AS SHOWN @ A1    DATE:- Feb 15

**David Symonds Associates**  
42c Imperial Court  
Kings Norton Business Centre  
Birmingham B30 3ES  
Tel: 0121 444 1313  
Email: eng@dsace.co.uk  
Website: www.dsace.co.uk

DRAWING No:- 214686-S-11    REV P