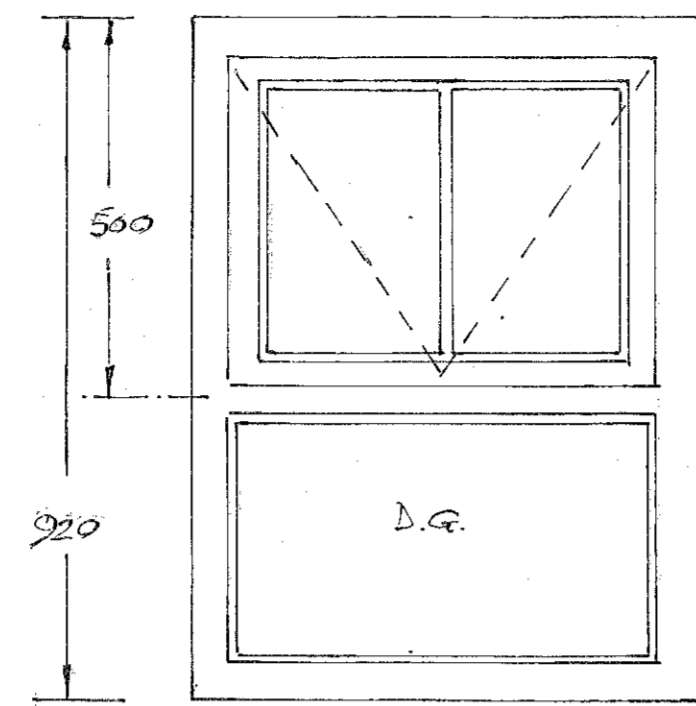
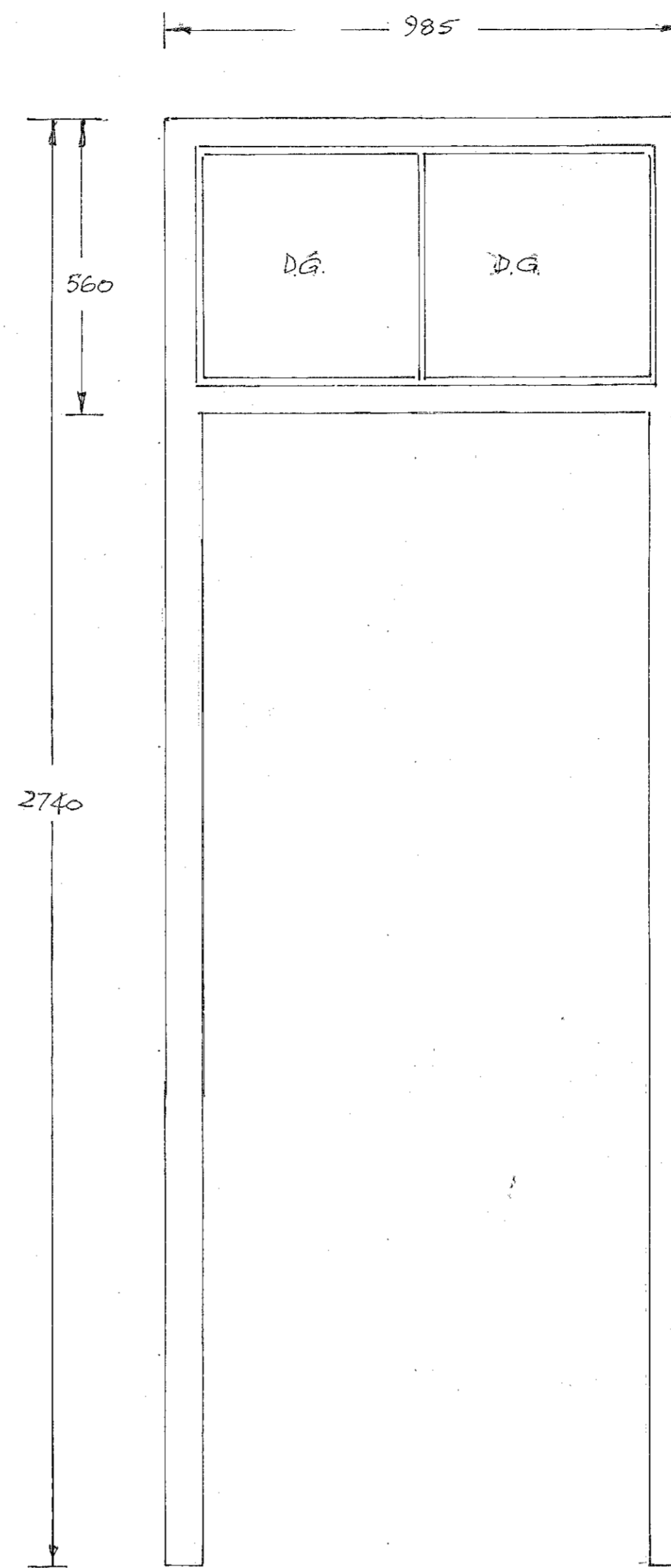


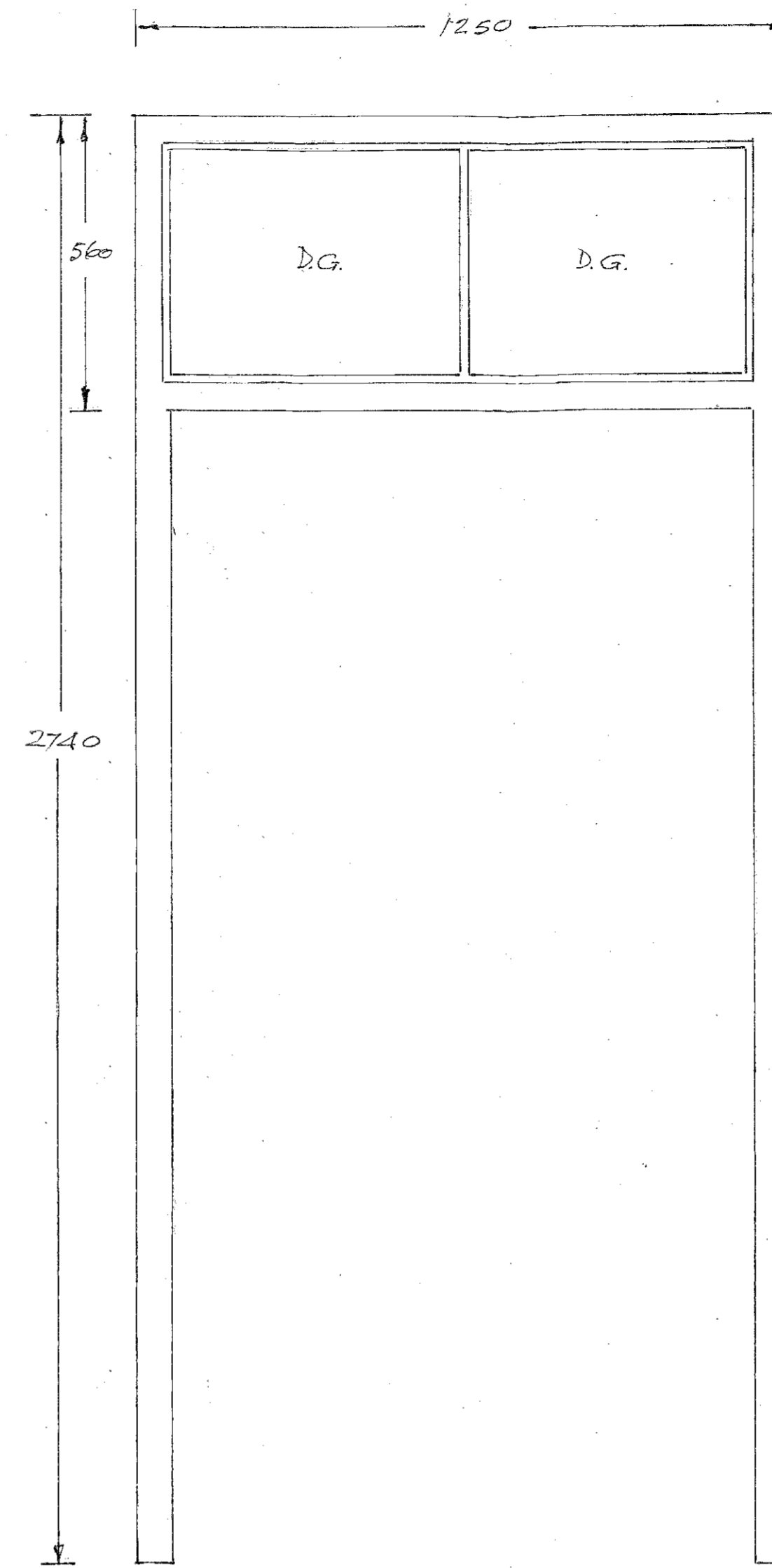
Window Type W1
19-OFF



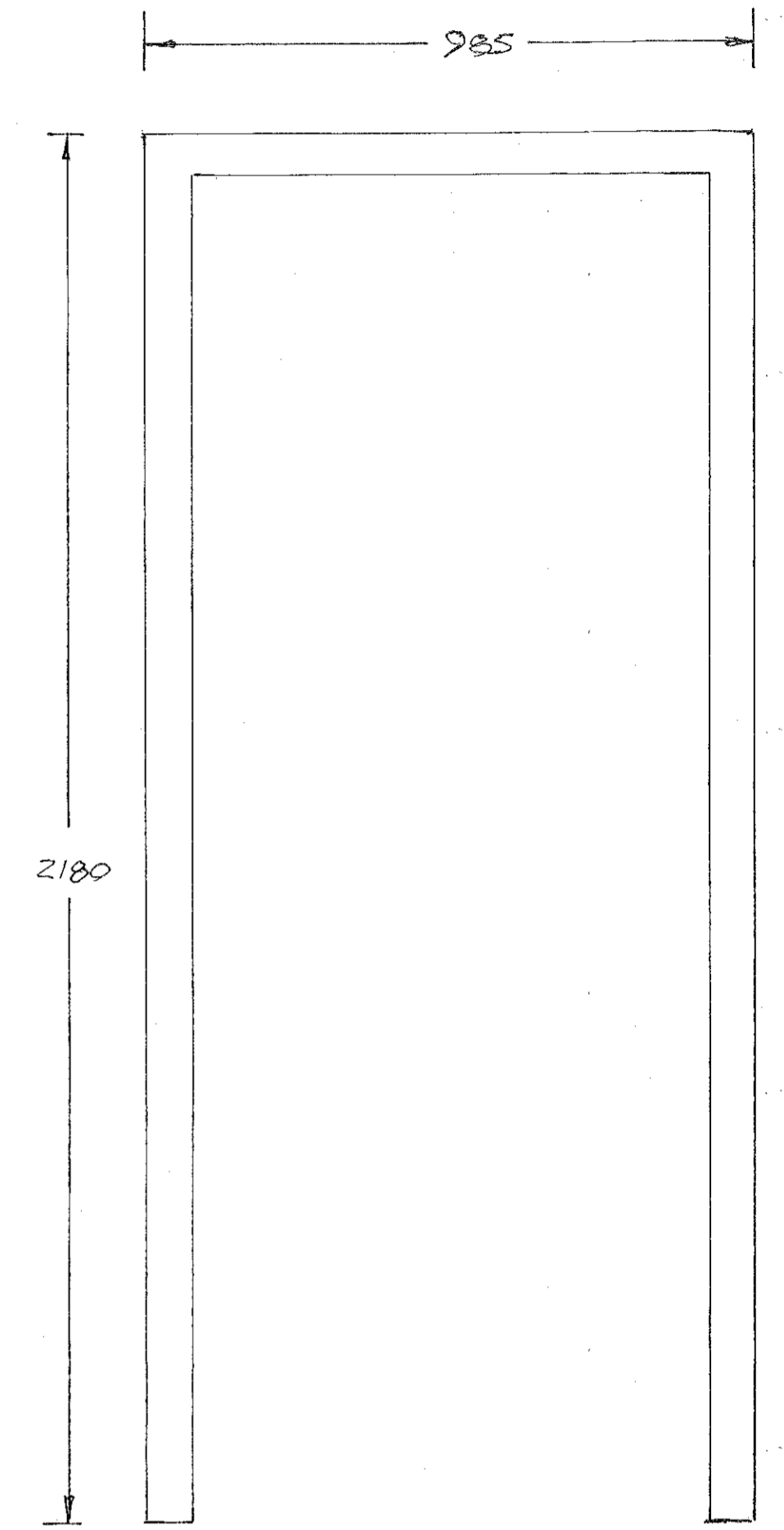
Window Type W2
13-OFF



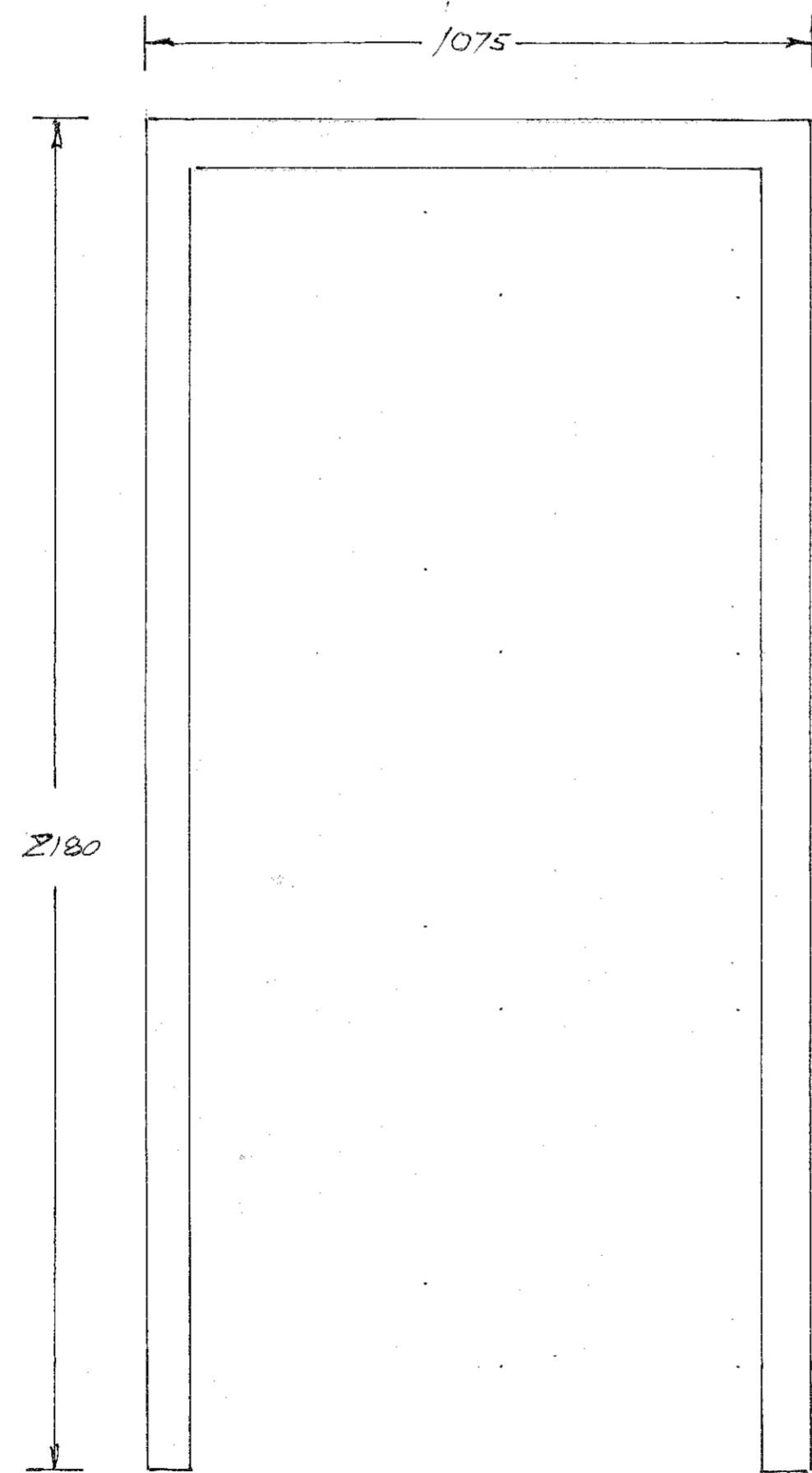
Door Frame Type D1
5-OFF



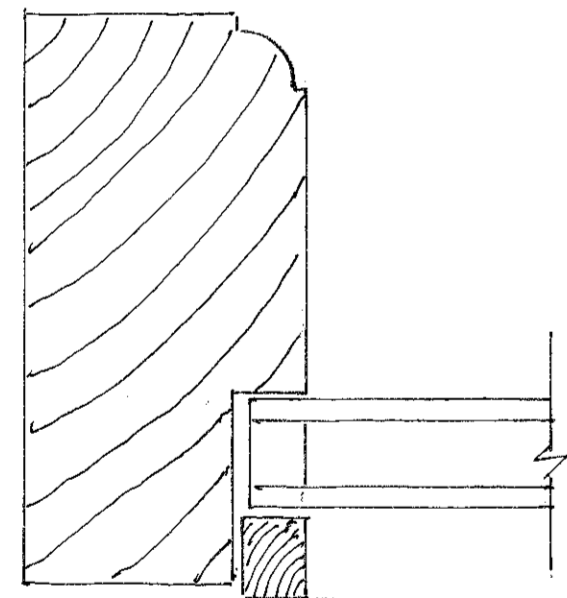
Door Frame Type D2
4-OFF



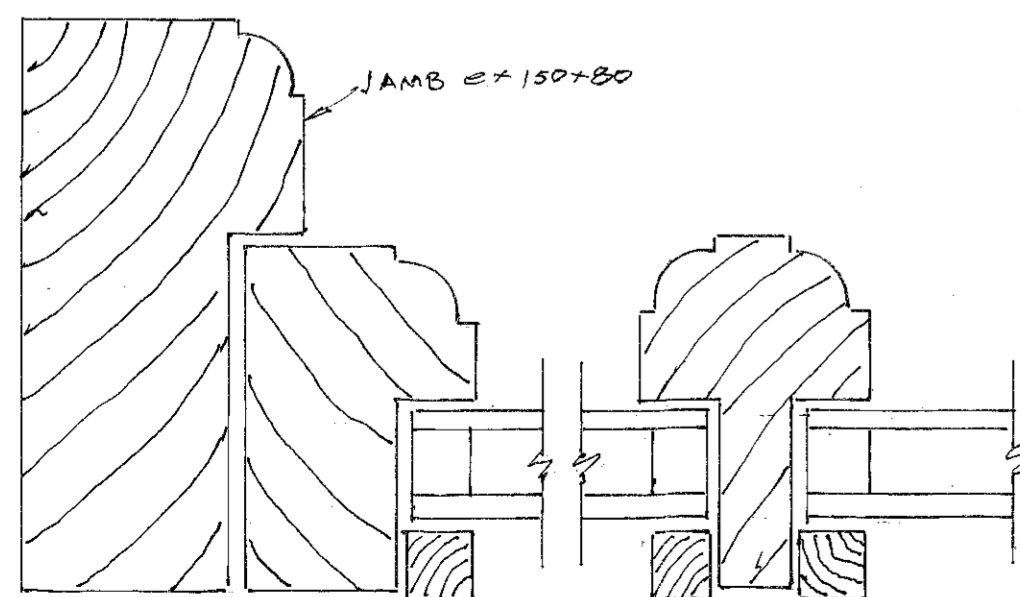
Door Frame Type D3
1-OFF




Door Frame Type D4 ~ Disabled Toilet
1-OFF



Typical Section thro' Direct Glazed Pane



Typical Section thro' Opening Sash

	DRAWN BY J. CRAWFORD	 GLOUCESTERSHIRE WARWICKSHIRE STEAM RAILWAY The Railway Station, Teddington, Glas.	SCALE VARIOUS DO NOT SCALE	METRIC
	DATE NOV. 2014		DESCRIPTION Window & Door Frame Details	BWG No BW 018
	CHECKED BY			
ISSUE DATE	ALTERATIONS			