



David Symonds Associates
 42c Imperial Court
 Kings Norton Business Centre, Birmingham B30 3ES
 Tel: 0121 444 1313
 Email: eng@dsace.co.uk
 Website: www.dsace.co.uk



Job No. 214686-S A3

Dwg No. SK 10 Rev P

Date Jan 15 Design

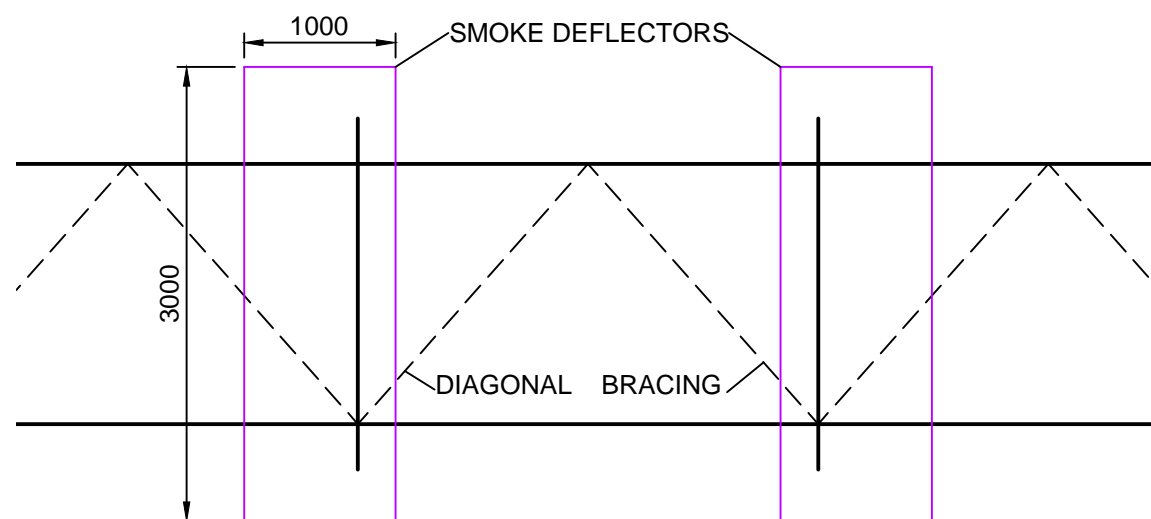
Chkd JDS Drawn SW

Scale AS SHOWN @ A3

Contract **Broadway Footbridge**
 Title **Proposed Smoke Deflector**

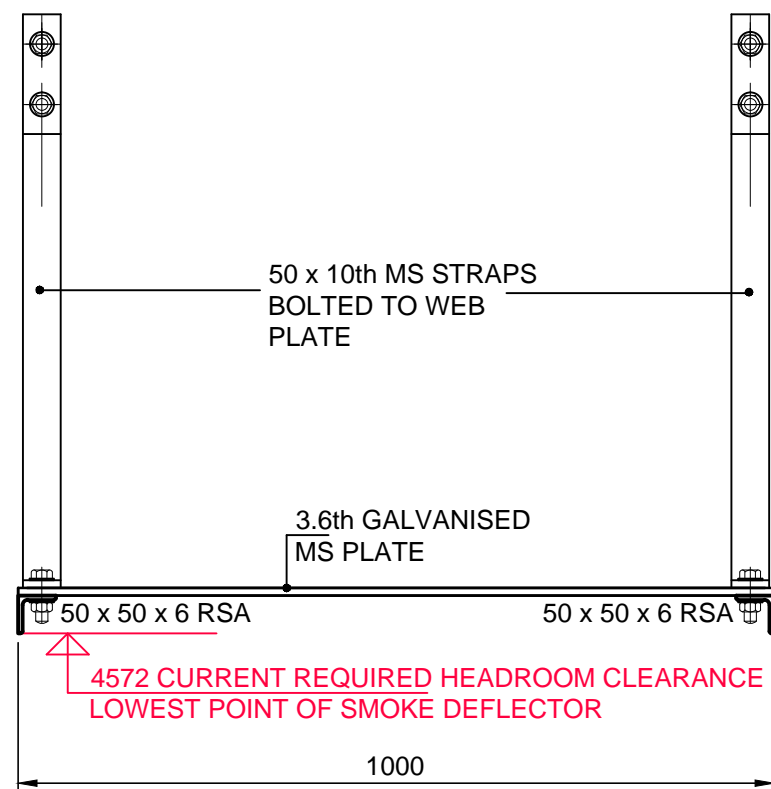
DO NOT SCALE - ONLY FIGURED DIMENSIONS ARE TO BE USED. LEVELS TO BE CONFIRMED ON SITE

P Preliminary 29.01.15 SW



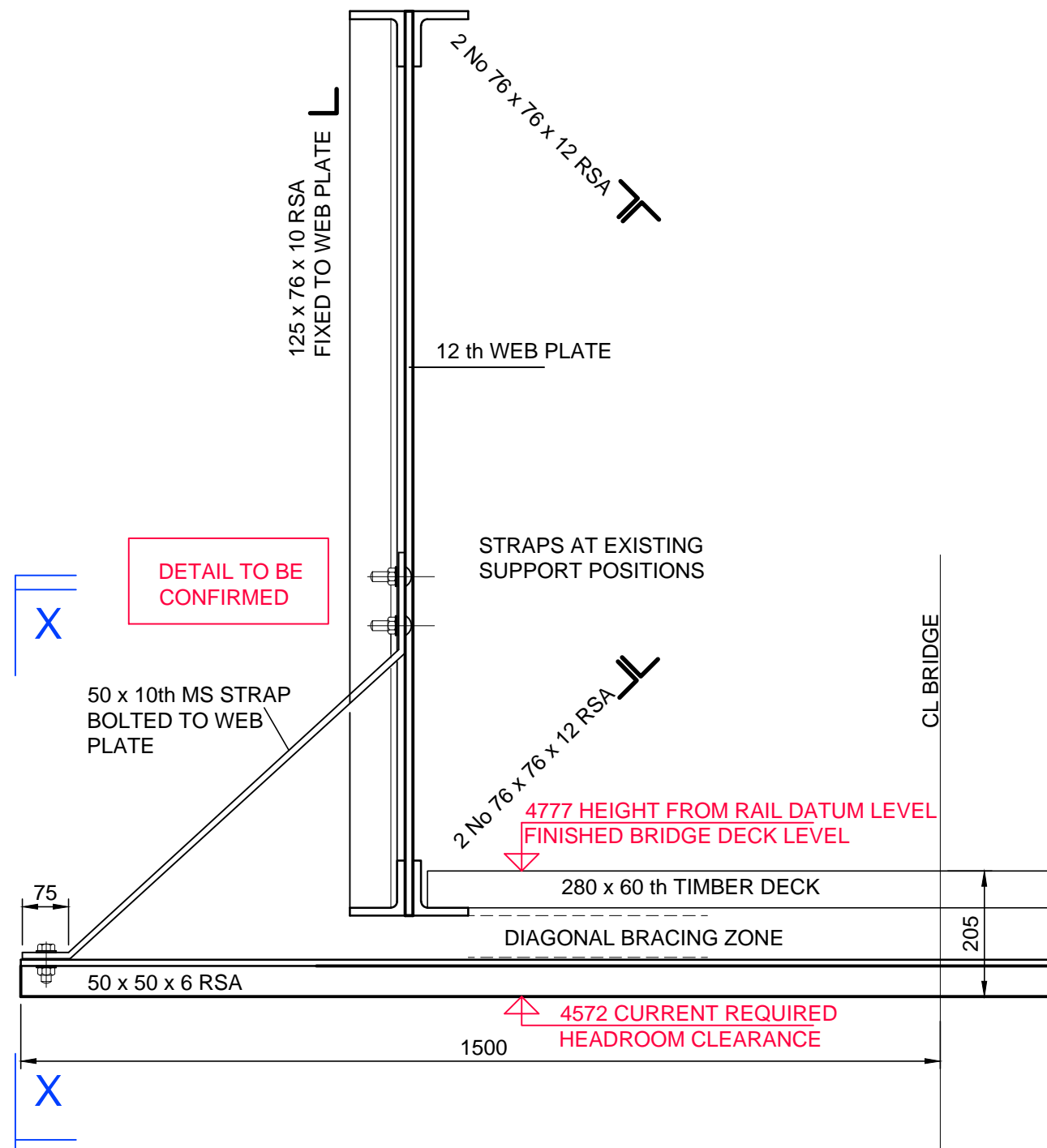
LOCATION PLAN

SCALE 1:50
 0 500 1000



ELEVATION X - X

SCALE 1:10
 0 100 200



FOOTBRIDGE SECTION AT SMOKE DEFLECTOR

SCALE 1:10
 0 100 200

WIP
29.01.15